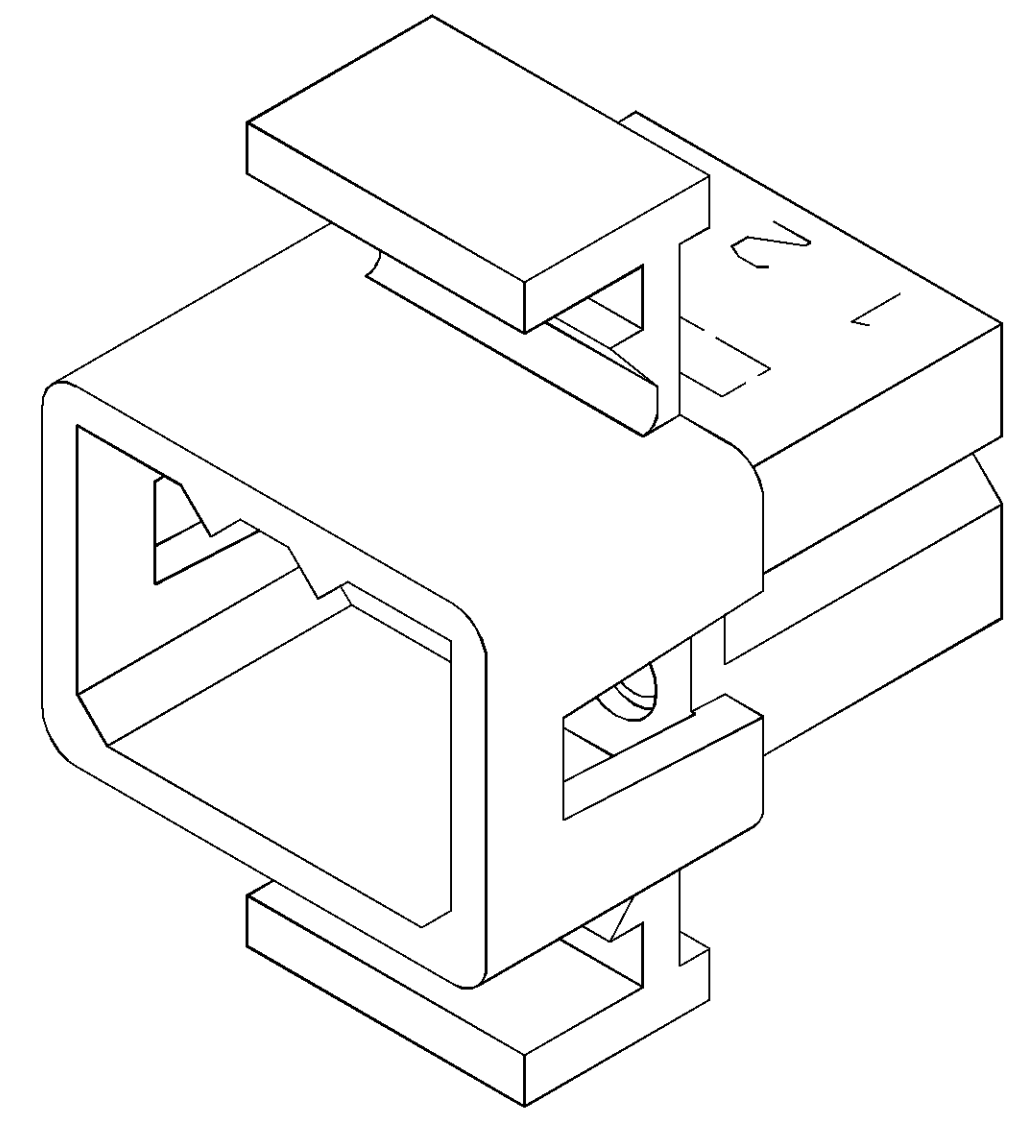
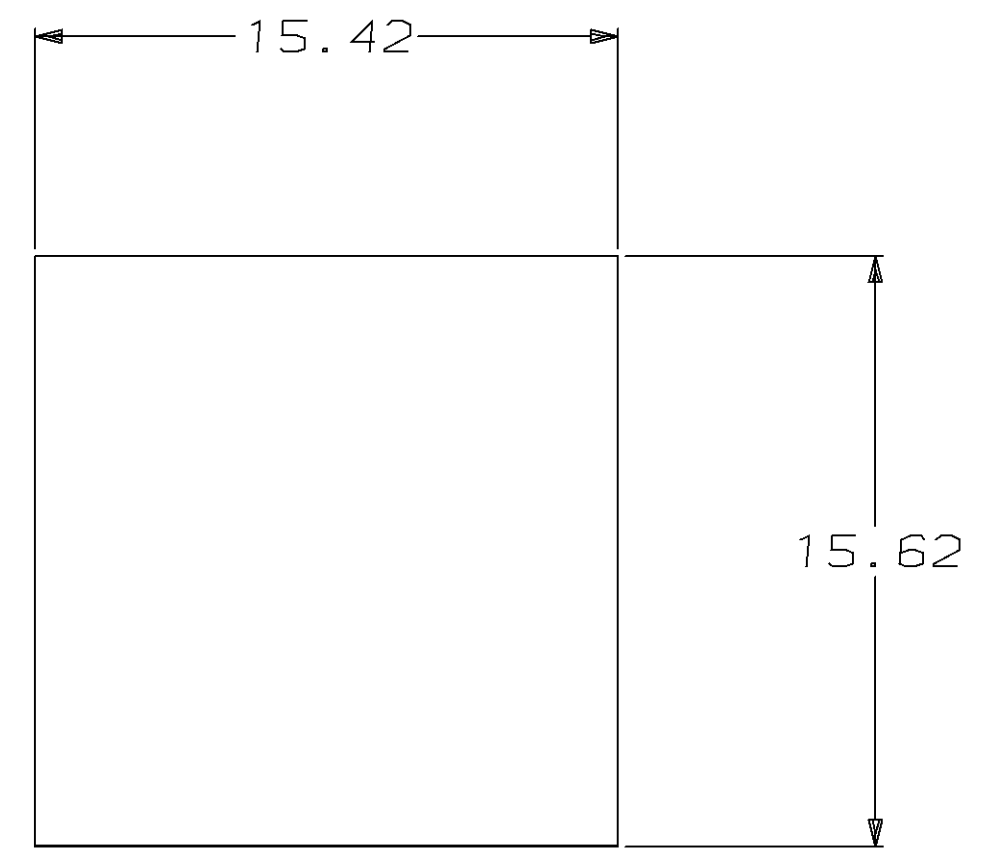
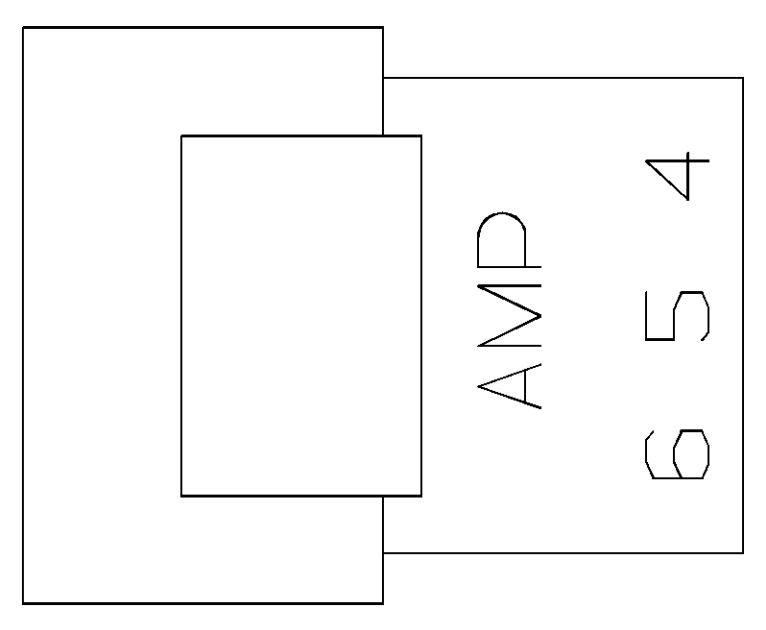
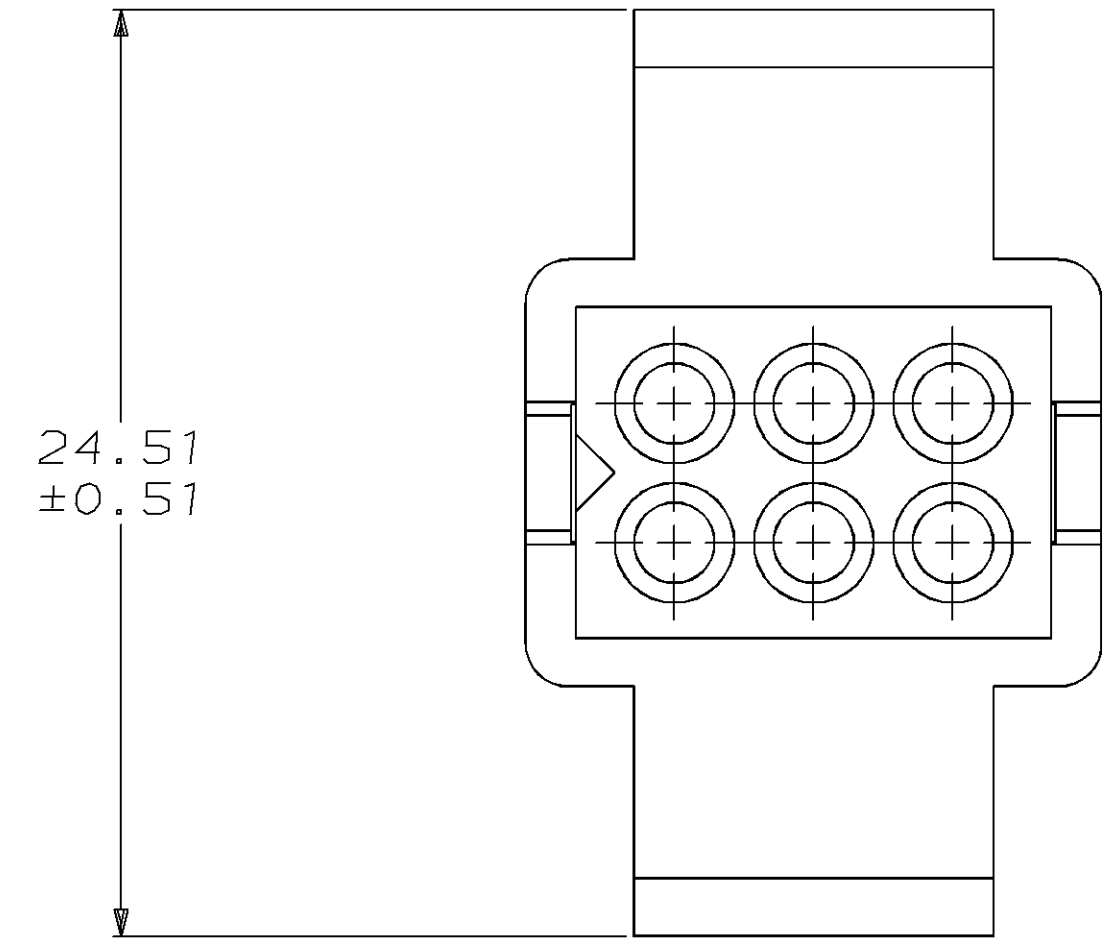
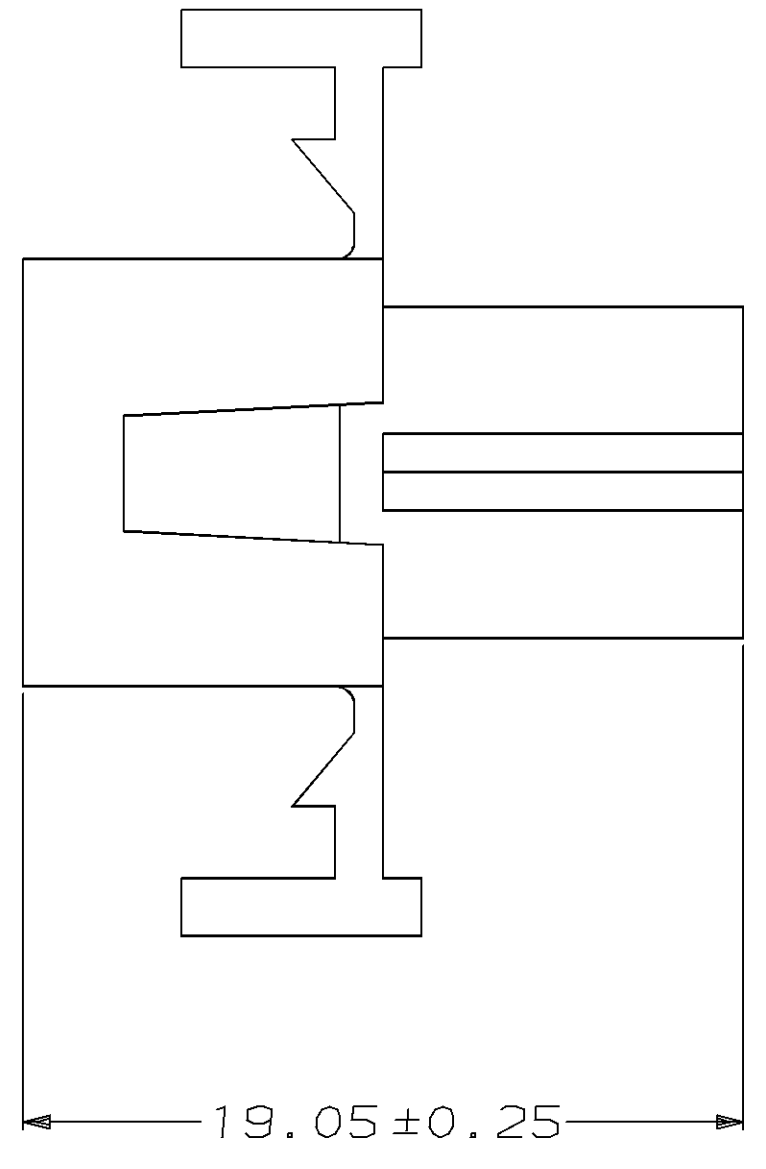
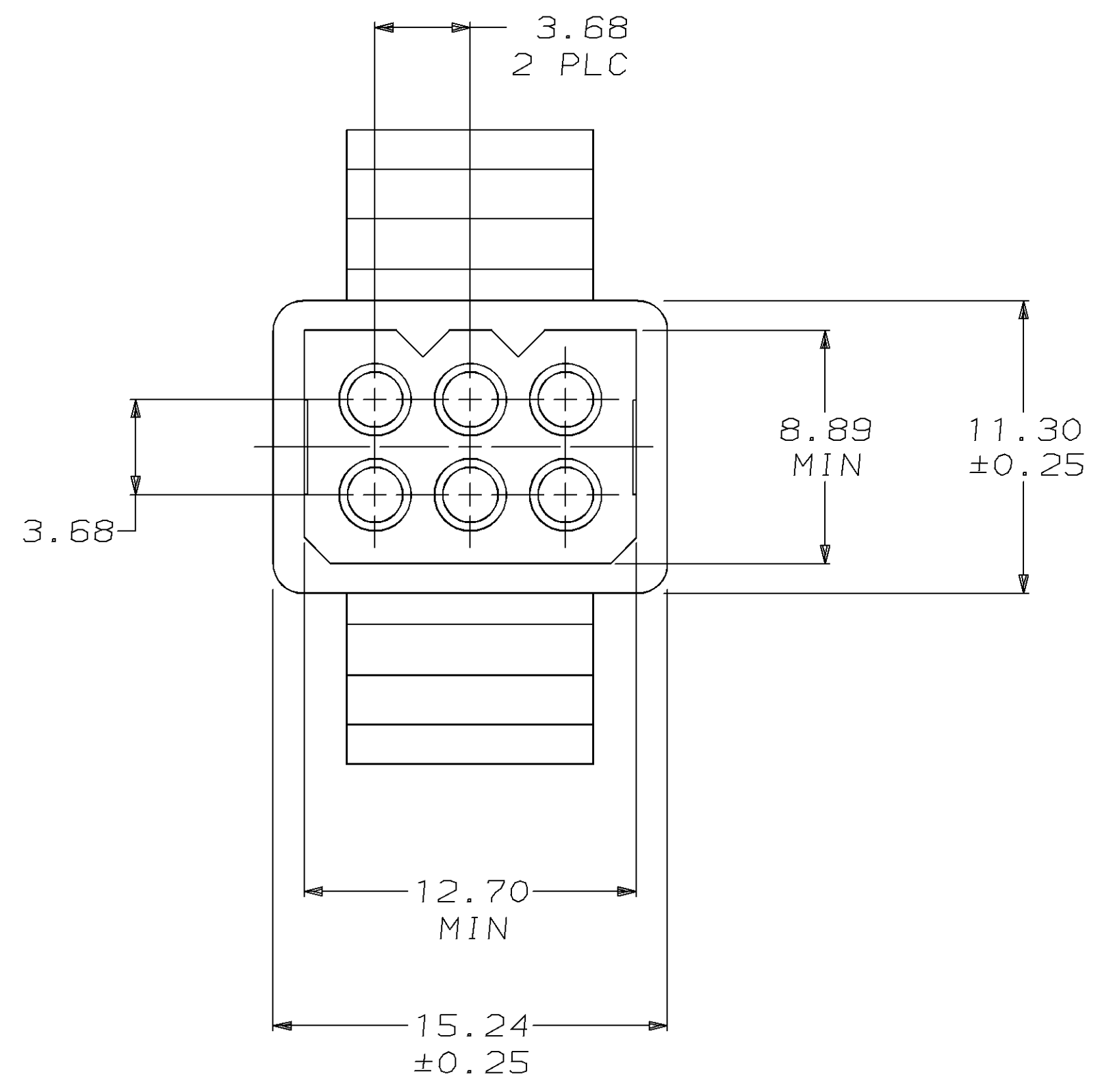
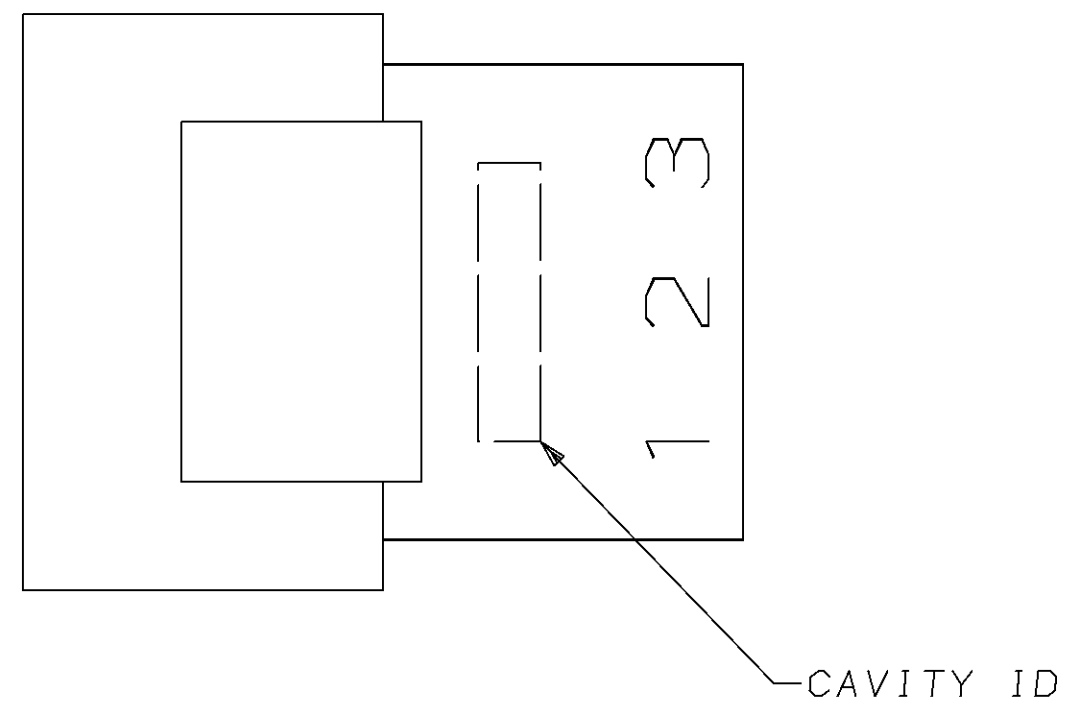


LOC		DIST		REVISIONS			
P	LTR	DESCRIPTION	DATE	DWN	APVD		
C		REV & REDWN PER EC OL30-0066-96	10-02-96	KW	RS		



3-DIMENSIONAL MODEL
NTS

MM	IN	MM	IN
8.89	.350	24.51	.965
3.68	.145	19.05	.750
1.58	.062	15.62	.615
1.52	.060	15.42	.607
0.51	.020	15.24	.600
0.25	.010	12.70	.500
0.13	.005	11.30	.445
MM	IN	MM	IN

CONVERSION TABLE



THIS DRAWING IS A CONTROLLED DOCUMENT.

DWN K. WHITAKER	10-02-96	AMP AMP Incorporated Harrisburg, PA 17105-3608
CHK R. SWING	10-02-96	
APVD C. CASH	10-09-96	NAME PLUG, PANEL MOUNT, 6 CIRCUIT, .062 PIN AND SOCKET
DIMENSIONS: mm	TOLERANCES UNLESS OTHERWISE SPECIFIED: 0 PLC ±. 1 PLC ±. 2 PLC ±0.13 3 PLC ±. 4 PLC ±. ANGLES ±. FINISH -	SIZE A1
MATERIAL NYLON, UL 94V-2, NATURAL	WEIGHT -	CASE CODE 00779
CUSTOMER DRAWING		DRAWING NO 770353
		SCALE 5:1 SHEET 1 OF 1 REV C

770353-1
PART NUMBER